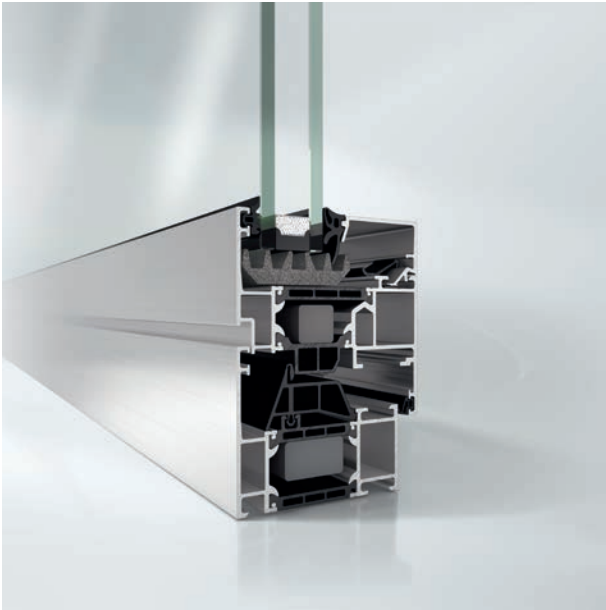


SCHÜCO

SCHÜCO AWS 70.HI
ALUMINUM WINDOW SYSTEM



SCHÜCO AWS 70.HI



Schüco Window System AWS 70.HI, inward opening



Schüco Window System AWS 70.HI, outward opening

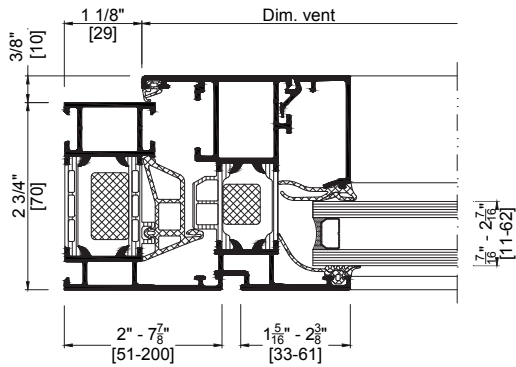
The Schüco Aluminum Window System AWS 70.HI combines efficient solutions for a wide variety of functional, architectural and design requirements in one system: a high level of thermal insulation, narrow face widths and concealed fittings for inward and outward opening windows.

The system features enhanced insulation zones with foam-filled insulation bars, additional glazing rebate insulation can also be used.

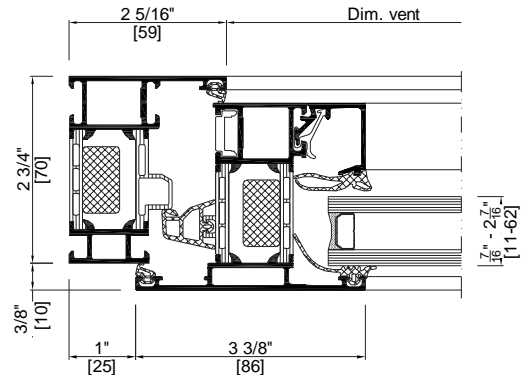
Schüco block systems create a particularly elegant window design without visible window vents. This attractive design option, where the outer frame completely covers the vent frame of the window, creates large transparent glazed areas due to its extremely narrow frame.

PRODUCT BENEFITS

- Highly thermally insulated aluminum window system
- Crank-operated turn/tilt solution optional for large, heavy units
- Compatible with Schüco Door System ADS / ADS HD modular system
- Inward configurations: tilt/turn, turn/tilt, casement, hopper
- Outward configurations: casement, awning



Detail of Schüco Window System AWS 70.HI, inward opening



Detail of Schüco Window System AWS 70.HI, outward opening

TECHNICAL DATA	INWARD OPENING	OUTWARD OPENING
Configurations	Turn/tilt, tilt/turn, side hung casement, hopper	Side hung casement, awning
Minimum Vent Dimensions	Casement: 17" x 21" (450 mm x 540 mm) Tilt/turn: 18" x 21" (470 mm x 540 mm)	Casement: 17" x 17" (450 mm x 450 mm) Awning: 17" x 17" (450 mm x 450 mm)
Maximum Vent Dimensions	Casement: 66" x 82" (1700 mm x 2100 mm) Tilt/turn: 39" x 98" (1000 mm x 2500 mm)	Casement: 66" x 82" (1700 mm x 2100 mm) Casement: 39" x 98" (1000 mm x 2500 mm) Awning: 86" x 78" (2200 mm x 2000 mm)
Weight	551 lb (250 kg), heavy duty for casement 441 lb (200 kg), heavy duty for tilt/turn	Casement: up to 287 lb (130 kg) Awning: up to 353 lb (160 kg)
AAMA Rating	AW-PG 70	AW-PG 70
Water Tightness	15 psf (720 Pa)	15 psf (720 Pa)
Hardware	SimplySmart, Concealed, 180° opening possible	Exposed barrel hinge, concealed hinge (projected)
Accessories	Code approved limiting restrictor, ADA handle option	Code approved limiting restrictor, ADA handle option
Thermal Performance*	0.34 Btu/hr-ft ² -°F *Information based on NFRC standard test size with a TGI wave spacer, IGU U Value 0.29	0.37 Btu/hr-ft ² -°F *Information based on NFRC standard test size with a TGI wave spacer, IGU U Value 0.29