

---

# SCHÜCO AWS TERRACE DOORS

WITH ADA THRESHOLD



**SCHÜCO**

# SCHÜCO AWS TERRACE DOORS



Schüco AWS Terrace Door

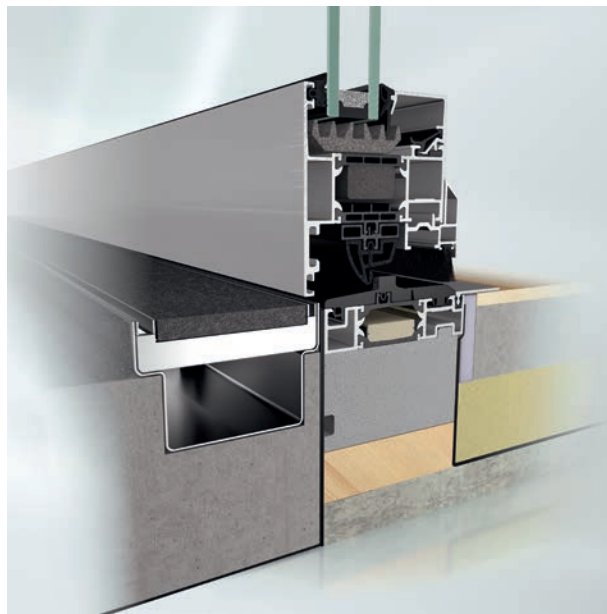
## Outward-opening terrace door

The Schüco AWS 70.HI and the Schüco AWS 75.SI+ outward opening terrace doors offer an easy-access threshold option which meets ADA ½" (13 mm) threshold height limitation while maintaining a 15 psf water resistance test performance.

Both series are available in a single vent and double-vent option. Using the Group V vent profile increases the maximum overall size to 4' x 8'-4" (1200 mm x 2500 mm) and the maximum weight to 286 lb (130 kg), with a 90° opening. Oversized options to be evaluated on a per project basis.

In addition to providing a high thermal performance terrace door, these systems allow insulated glass units of 2-¼" (57 mm) thick, thus meeting today's rigorous energy saving demands. By recessing the threshold 1³⁄₁₆" (20 mm) into the floor, a smooth and easy ADA compliant access to the exterior is provided.

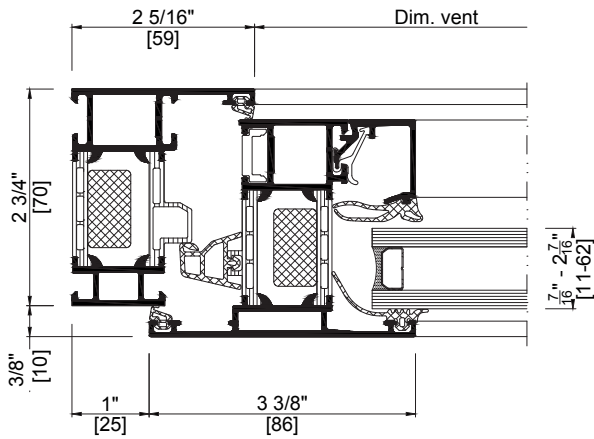
The AWS 75.SI+ single terrace door has also been tested and approved to assure it meets standards and regulations for the hurricane market.



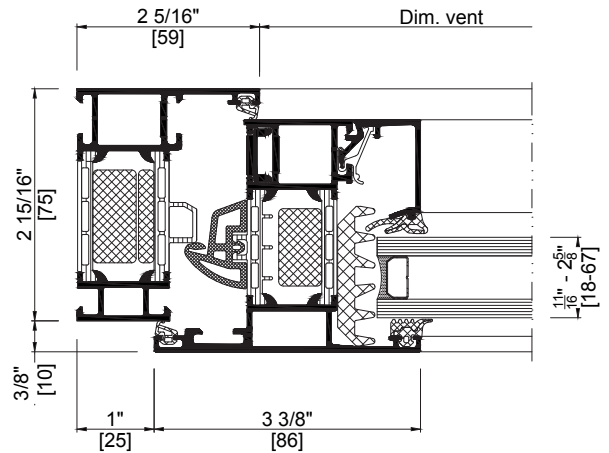
Schüco AWS 75.SI+ Terrace Door with ADA threshold

## PRODUCT BENEFITS

- Varied system range for high-quality living and working
- Enhanced planning options with ADA Threshold
- High level of water tightness
- State-of-the-art technology for easy-access operation of units
- Single and double vent options
- Profile design enables dual color option on interior and exterior
- Dorma door closer with slide rail, cushioned stop and hold-open available from Schüco



Horizontal section detail of Schüco AWS 70.HI Terrace Door



Horizontal section detail of Schüco AWS 75.SI+ Terrace Door

TECHNICAL DATA	SINGLE	DOUBLE
Dimensions	4' x 8'4" (1200 mm x 2500 mm)	6'-6" x 8' (2000 mm x 2400 mm)
Max. Weight	Up to 287 lb	Up to 287 lb
AAMA Rating	AW-PG 70	AW-PG 60
Water Tightness	15 psf	15 psf
Design Pressure	+/-70 psf	+/-60 psf
Glass Thickness	2-1/4" (57 mm)	2-1/4" (57 mm)
Hardware	Exposed barrel hinge	Exposed barrel hinge
Accessories	Dorma door closer	Dorma door closer
Thermal Example*	0.23 Btu/hr-ft <sup>2</sup> -°F	0.23 Btu/hr-ft <sup>2</sup> -°F

\*Information based on NFRC standard test size, IGU U-Value 0.10