



5500HPT Series

Description: Sliding Doors

Function: Entrances

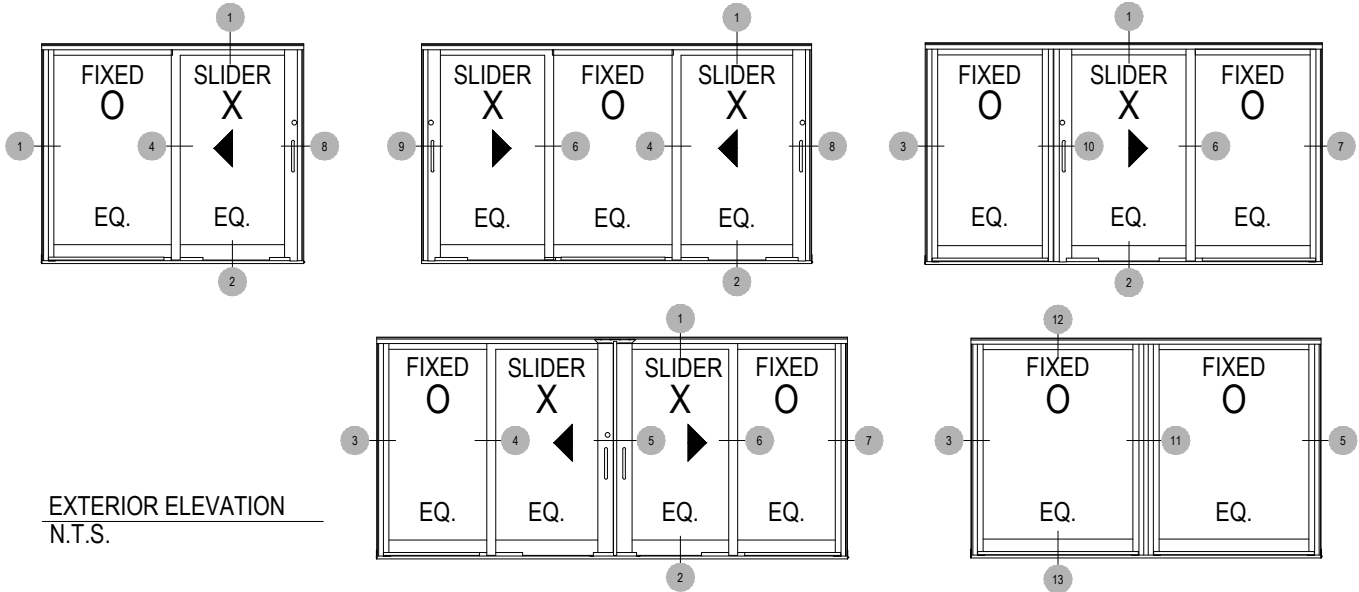
Detail: ALL

Scale: 3" = 1'-0"

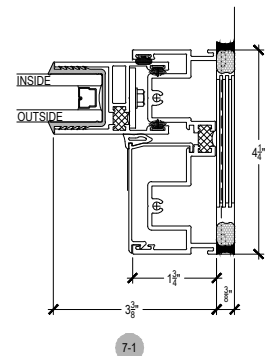
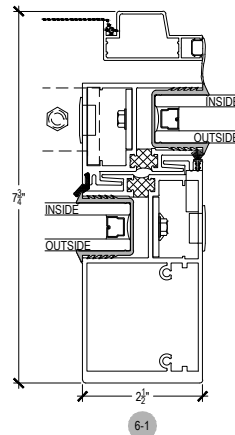
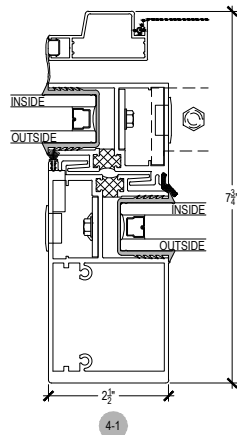
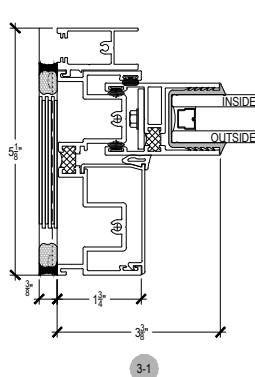
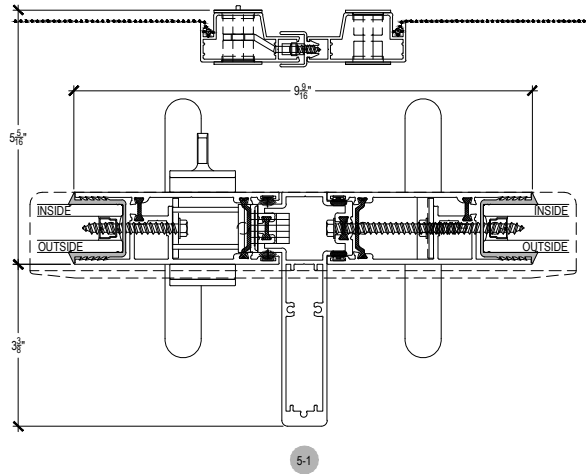
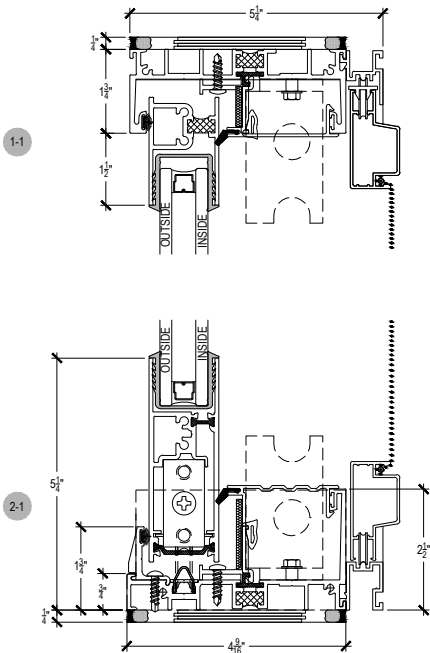
42" A.F.F. TO CENTER OF PULL/PUSH

34" TO CENTER OF LOCKSET

SHEET 1 OF 2



EXTERIOR ELEVATION
N.T.S.





5500HPT Series

Description: Sliding Doors

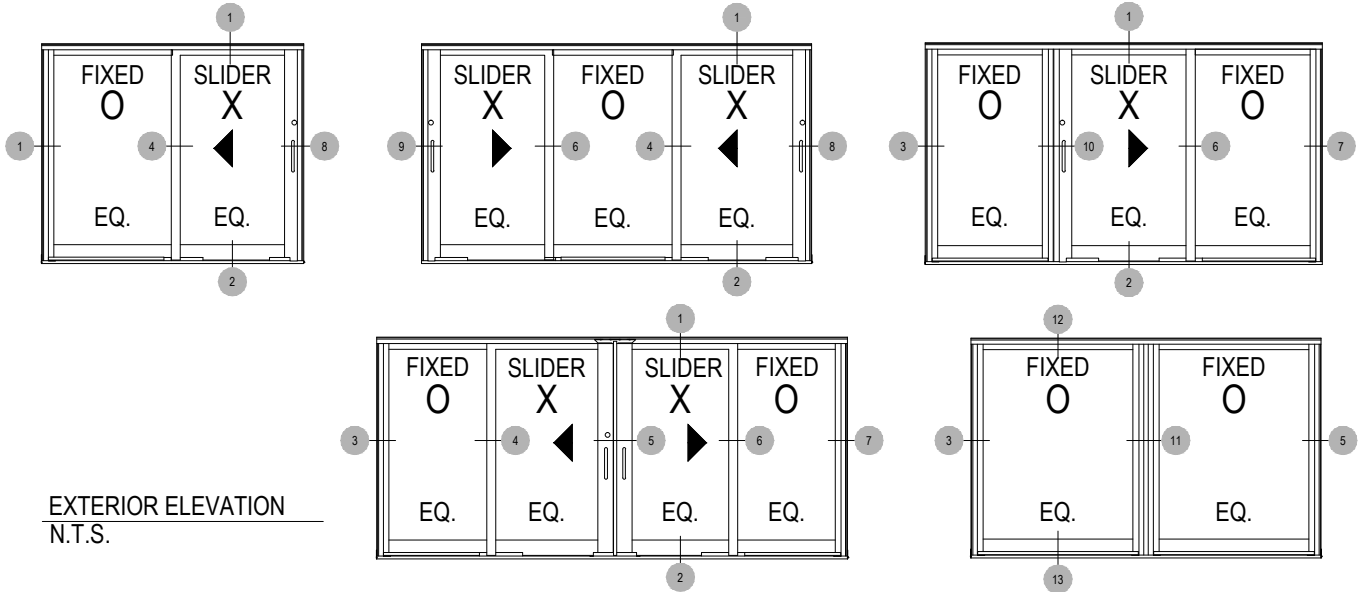
Function: Entrances

Detail: ALL

Scale: 3" = 1'-0"

42" A.F.F. TO CENTER OF PULL/PUSH
34" TO CENTER OF LOCKSET

SHEET 2 OF 2



EXTERIOR ELEVATION
N.T.S.

